



Katalog

Vibrasjonsdempere

2019



Rubberstyle AS - Finnestadsvingen 36 - 4029 Stavanger - tlf. 51542800 - salg@rubberstyle.com

Contents

Vibration dampers

Cylindrical

Type A-B-C-D-E

1

Conical

Type DS/D-DS/E

6

Concave

Type K/D-K/E

7

Parabolic

Type KP/D-KP/E

8

Diabolo

Type A/F-B/F-C/F

9

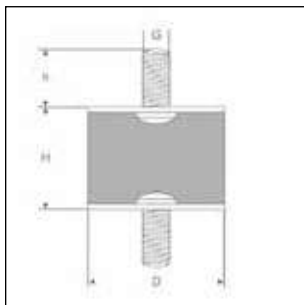
Quick guide

	Cylindrical	Conical	Concave	Parabolic	Diabolo
	Type A-B-C-D-E	Type DS/D-DS/E	Type K/D-K/E	Type KP/D-KP/E	Type K/F-B/F-C/F
light load	✓	✓		✓	✓
medium load	✓	✓		✓	✓
heavy load	✓		✓		
axial / compression load	✓	✓		✓	
side load	✓				✓
shock load			✓		
tensile load					✓
not flat surface		✓			

Note: this table serves only as an indication for possible applications of the different dampers.

No rights or liabilities can be derived from these indications.

Type A

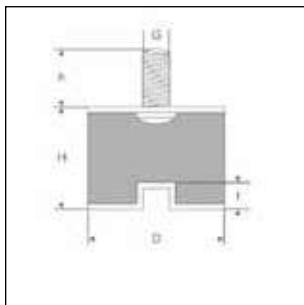


Material properties	Data and values
Quality elastomer	: NR rubber - black
Hardness	: 55° Shore A (+/-5)
Material of metal parts	: Steel 37.2 - galvanized
Temperature range	: -30° C / +80° C
Limited applicability	: Oils, lubricants and greases

The guide values mentioned in the table below are based on a static load. With (high) dynamic and changing loads or high vibration frequencies reduction of the maximum values must be taken into account.

Article number	D mm	d mm	H mm	h mm	D/dxH mm	Ø Screw diameter (G) Metric	Depth screw thread (t) mma	Maximum load Kg	Maximum impression mm
99990808A	8	-	8	6	-	M3	-	3	0,8
99991010A	10	-	10	10	-	M4	-	5	1
99991015A	10	-	15	10	-	M4	-	4	1,6
99991508A	15	-	8	10	-	M4	-	16	0,7
99991510A	15	-	10	10	-	M4	-	13	1
99991515A	15	-	15	10	-	M4	-	10	1,7
99991520A	15	-	20	10	-	M4	-	9	2,3
99991530A	15	-	30	10	-	M4	-	8	3,5
99992010A	20	-	10	18	-	M6	-	34	0,75
99992015A	20	-	15	18	-	M6	-	23	1,5
99992020A	20	-	20	18	-	M6	-	20	2,1
99992025A	20	-	25	18	-	M6	-	18	3
99992510A	25	-	10	18	-	M6	-	65	0,75
99992515A	25	-	15	18	-	M6	-	42	1,5
99992520A	25	-	20	18	-	M6	-	35	2,3
99992525A	25	-	25	18	-	M6	-	30	3
99992530A	25	-	30	18	-	M6	-	27	3,6
99993015A	30	-	15	20	-	M8	-	68	1,5
99993020A	30	-	20	20	-	M8	-	51	2,2
99993025A	30	-	25	20	-	M8	-	46	3
99993030A	30	-	30	20	-	M8	-	43	3,7
99994015A	40	-	15	23	-	M8	-	140	1,6
99994020A	40	-	20	23	-	M8	-	120	2,4
99994025A	40	-	25	23	-	M8	-	120	2,4
99994030A	40	-	30	23	-	M8	-	86	3,5
99994040A	40	-	40	23	-	M8	-	77	5
99995020A	50	-	20	28	-	M10	-	230	2
99995030A	50	-	30	28	-	M10	-	160	3,4
99995035A	50	-	35	28	-	M10	-	152	4,5
99995040A	50	-	40	28	-	M10	-	140	5
99995045A	50	-	45	28	-	M10	-	127	5,5
99995050A	50	-	50	28	-	M10	-	115	6,2
99996025A	60	-	25	28	-	M10	-	240	4,4
99996050A	60	-	50	28	-	M10	-	200	5,8
99997045A	70	-	45	25	-	M10	-	280	5,6
99997525A	75	-	25	37	-	M12	-	570	2,7
99997540A	75	-	40	37	-	M12	-	360	5
99997550A	75	-	50	37	-	M12	-	315	6,2
99997555A	75	-	55	37	-	M12	-	285	6,8
99999940A	100	-	40	41	-	M16	-	825	4,4
99999955A	100	-	55	41	-	M16	-	627	6,5
99999999A	100	-	100	41	-	M16	-	420	12

Type B

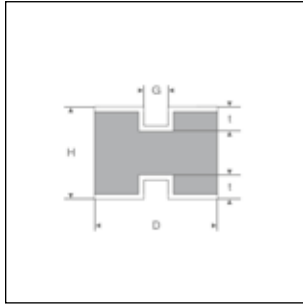


Material properties	Data and values
Quality elastomer	: NR rubber - black
Hardness	: 55° Shore A (+/-5)
Material of metal parts	: Steel 37.2 - galvanized
Temperature range	: -30° C / +80° C
Limited applicability	: Oils, lubricants and greases

The guide values mentioned in the table below are based on a static load. With (high) dynamic and changing loads or high vibration frequencies reduction of the maximum values must be taken into account.

Article number	D mm	d mm	H mm	h mm	D/dxH mm	Ø Screw diameter (G) Metric	Depth screw thread (t) mma	Maximum load Kg	Maximum impression mm
99990808B	8	-	8	6	-	M3	3	3	0,8
99991010B	10	-	10	10	-	M4	4	5	1
99991015B	10	-	15	10	-	M4	4	4	1,6
99991508B	15	-	8	10	-	M4	4	16	0,7
99991510B	15	-	10	10	-	M4	4	13	1
99991515B	15	-	15	10	-	M4	4	11	1,8
99991520B	15	-	20	10	-	M4	4	9	2,3
99991530B	15	-	30	10	-	M4	4	8	3,5
99992010B	20	-	10	18	-	M6	6	34	0,75
99992015B	20	-	15	18	-	M6	6	23	1,5
99992020B	20	-	20	18	-	M6	6	20	2,1
99992025B	20	-	25	18	-	M6	6	18	3
99992510B	25	-	10	18	-	M6	6	65	0,75
99992515B	25	-	15	18	-	M6	6	50	1,6
99992520B	25	-	20	18	-	M6	6	35	2,3
99992525B	25	-	25	18	-	M6	6	30	3
99992530B	25	-	30	18	-	M6	6	27	3,6
99993015B	30	-	15	20	-	M8	8	75	1,6
99993020B	30	-	20	20	-	M8	8	60	2,4
99993025B	30	-	25	20	-	M8	8	50	3,2
99993030B	30	-	30	20	-	M8	8	43	3,7
99994015B	40	-	15	23	-	M8	8	140	1,6
99994020B	40	-	20	23	-	M8	8	132	2,5
99994025B	40	-	25	23	-	M8	8	132	2,5
99994030B	40	-	30	23	-	M8	8	90	3,6
99994040B	40	-	40	23	-	M8	8	85	5,2
99995020B	50	-	20	28	-	M10	10	260	2,1
99995030B	50	-	30	28	-	M10	10	180	3,5
99995035B	50	-	35	28	-	M10	10	152	4,5
99995040B	50	-	40	28	-	M10	10	140	5
99995045B	50	-	45	28	-	M10	10	127	5,5
99995050B	50	-	50	28	-	M10	10	115	6,2
99996025B	60	-	25	28	-	M10	10	240	4,4
99996050B	60	-	50	28	-	M10	10	200	5,8
99997045B	70	-	45	25	-	M10	10	280	5,6
99997525B	75	-	25	37	-	M12	10	570	2,7
99997540B	75	-	40	37	-	M12	12	380	5,1
99997550B	75	-	50	37	-	M12	12	315	6,2
99997555B	75	-	55	37	-	M12	12	285	6,8
9999940B	100	-	40	41	-	M16	16	1000	4,6
9999955B	100	-	55	41	-	M16	16	627	6,7
99999999B	100	-	100	41	-	M16	16	420	12

Type C

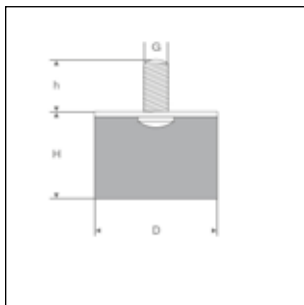


Material properties	Data and values
Quality elastomer	: NR rubber - black
Hardness	: 55° Shore A (+/-5)
Material of metal parts	: Steel 37.2 - galvanized
Temperature range	: -30° C / +80° C
Limited applicability	: Oils, lubricants and greases

The guide values mentioned in the table below are based on a static load. With (high) dynamic and changing loads or high vibration frequencies reduction of the maximum values must be taken into account.

Article number	D mm	d mm	H mm	h mm	D/dxH mm	Ø Screw diameter (G) Metric	Depth screw thread (t) mma	Maximum load Kg	Maximum impression mm
99990808C	8	-	8	-	-	M3	3	3	0,8
99991010C	10	-	10	-	-	M4	4	6	1,1
99991015C	10	-	15	-	-	M4	4	4	1,6
99991508C	15	-	8	-	-	M4	4	16	0,7
99991510C	15	-	10	-	-	M4	4	13	1
99991515C	15	-	15	-	-	M4	4	11	1,9
99991520C	15	-	20	-	-	M4	4	10	2,4
99991530C	15	-	30	-	-	M4	4	8	3,5
99992010C	20	-	10	-	-	M6	6	34	0,75
99992015C	20	-	15	-	-	M6	6	23	1,5
99992020C	20	-	20	-	-	M6	6	20	2,1
99992025C	20	-	25	-	-	M6	6	19	3,1
99992510C	25	-	10	-	-	M6	6	65	0,75
99992515C	25	-	15	-	-	M6	6	50	1,6
99992520C	25	-	20	-	-	M6	6	35	2,3
99992525C	25	-	25	-	-	M6	6	30	3
99992530C	25	-	30	-	-	M6	6	27	3,6
99993015C	30	-	15	-	-	M8	8	68	1,5
99993020C	30	-	20	-	-	M8	8	65	2,4
99993025C	30	-	25	-	-	M8	8	56	3,2
99993030C	30	-	30	-	-	M8	8	48	3,9
99994015C	40	-	15	-	-	M8	8	140	1,6
99994020C	40	-	20	-	-	M8	8	132	2,5
99994030C	40	-	30	-	-	M8	8	95	3,8
99994040C	40	-	40	-	-	M8	8	85	5,2
99995020C	50	-	20	-	-	M10	10	260	2,1
99995030C	50	-	30	-	-	M10	10	180	3,5
99995035C	50	-	35	-	-	M10	10	152	4,5
99995040C	50	-	40	-	-	M10	10	140	5
99995045C	50	-	45	-	-	M10	10	127	5,5
99995050C	50	-	50	-	-	M10	10	115	6,2
99996025C	60	-	25	-	-	M10	10	240	4,4
99996050C	60	-	50	-	-	M10	10	200	5,8
99997045C	70	-	45	-	-	M10	10	280	5,6
99997525C	75	-	25	-	-	M12	10	570	2,7
99997540C	75	-	40	-	-	M12	12	380	5,1
99997550C	75	-	50	-	-	M12	12	330	6,3
99997555C	75	-	55	-	-	M12	12	300	7
99999940C	100	-	40	-	-	M16	16	1000	4,6
99999955C	100	-	55	-	-	M16	16	725	7
99999999C	100	-	100	-	-	M16	16	420	12

Type D

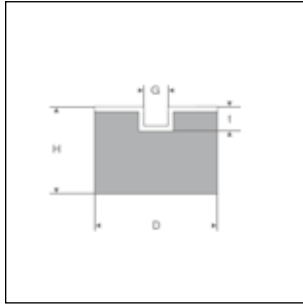


Material properties	Data and values
Quality elastomer	: NR rubber - black
Hardness	: 55° Shore A (+/-5)
Material of metal parts	: Steel 37.2 - galvanized
Temperature range	: -30° C / +80° C
Limited applicability	: Oils, lubricants and greases

The guide values mentioned in the table below are based on a static load. With (high) dynamic and changing loads or high vibration frequencies reduction of the maximum values must be taken into account.

Article number	D mm	d mm	H mm	h mm	D/dxH mm	Ø Screw diameter (G) Metric	Depth screw thread (t) mma	Maximum load Kg	Maximum impression mm
99990808D	8	-	8	6	-	M3	-	3	1
99991010D	10	-	10	10	-	M4	-	4,5	1,2
99991015D	10	-	15	10	-	M4	-	4	1,8
99991508D	15	-	8	10	-	M4	-	14	1
99991510D	15	-	10	10	-	M4	-	12	1,6
99991515D	15	-	15	10	-	M4	-	10	1,9
99991520D	15	-	20	10	-	M4	-	9	2,4
99991530D	15	-	30	10	-	M4	-	8	3,5
99992010D	20	-	10	18	-	M6	-	23	1,3
99992015D	20	-	15	18	-	M6	-	20	1,8
99992020D	20	-	20	18	-	M6	-	18	2,4
99992025D	20	-	25	18	-	M6	-	16	3
99992510D	25	-	10	18	-	M6	-	35	1,4
99992515D	25	-	15	18	-	M6	-	35	1,8
99992520D	25	-	20	18	-	M6	-	31	2,5
99992525D	25	-	25	18	-	M6	-	28	3,2
99992530D	25	-	30	18	-	M6	-	26	3,5
99993015D	30	-	15	20	-	M8	-	58	1,8
99993020D	30	-	20	20	-	M8	-	50	2,5
99993025D	30	-	25	20	-	M8	-	45	3,4
99993030D	30	-	30	20	-	M8	-	41	4
99994015D	40	-	15	23	-	M8	-	130	1,8
99994020D	40	-	20	23	-	M8	-	102	2,5
99994030D	40	-	30	23	-	M8	-	85	3,4
99994040D	40	-	40	23	-	M8	-	72	5,4
99995020D	50	-	20	28	-	M10	-	175	2,5
99995030D	50	-	30	28	-	M10	-	145	3,4
99995035D	50	-	35	28	-	M10	-	130	4,7
99995040D	50	-	40	28	-	M10	-	122	5,6
99995045D	50	-	45	28	-	M10	-	115	6
99995050D	50	-	50	28	-	M10	-	100	7
99996025D	60	-	25	28	-	M10	-	220	4
99996050D	60	-	50	28	-	M10	-	180	5,6
99997045D	70	-	45	25	-	M10	-	260	6
99997525D	75	-	25	37	-	M12	-	485	3,2
99997540D	75	-	40	37	-	M12	-	350	4,4
99997550D	75	-	50	37	-	M12	-	320	6,6
99997555D	75	-	55	37	-	M12	-	287	7,4
99999940D	100	-	40	41	-	M16	-	750	5
99999955D	100	-	55	41	-	M16	-	650	6,7
99999999D	100	-	100	41	-	M16	-	440	12,8

Type E

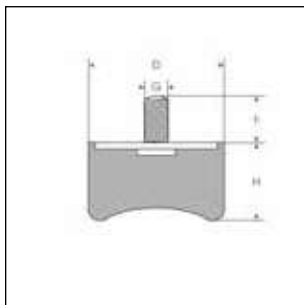


Material properties	Data and values
Quality elastomer	: NR rubber - black
Hardness	: 55° Shore A (+/-5)
Material of metal parts	: Steel 37.2 - galvanized
Temperature range	: -30° C / +80° C
Limited applicability	: Oils, lubricants and greases

The guide values mentioned in the table below are based on a static load. With (high) dynamic and changing loads or high vibration frequencies reduction of the maximum values must be taken into account.

Article number	D mm	d mm	H mm	h mm	D/dxH mm	Ø Screw diameter (G) Metric	Depth screw thread (t) mma	Maximum load Kg	Maximum impression mm
99990808E	8	-	8	-	-	M3	3	3	1
99991010E	10	-	10	-	-	M4	4	4,5	1,2
99991015E	10	-	15	-	-	M4	4	4	1,8
99991508E	15	-	8	-	-	M4	4	14	1
99991510E	15	-	10	-	-	M4	4	12	1,6
99991515E	15	-	15	-	-	M4	4	10	1,9
99991520E	15	-	20	-	-	M4	4	9	2,4
99991530E	15	-	30	-	-	M4	4	8	3,5
99992010E	20	-	10	-	-	M6	6	23	1,3
99992015E	20	-	15	-	-	M6	6	20	1,8
99992020E	20	-	20	-	-	M6	6	18	2,4
99992025E	20	-	25	-	-	M6	6	16	3
99992510E	25	-	10	-	-	M6	6	35	1,4
99992515E	25	-	15	-	-	M6	6	35	1,8
99992520E	25	-	20	-	-	M6	8	31	2,5
99992525E	25	-	25	-	-	M6	8	28	3,2
99992530E	25	-	30	-	-	M6	8	26	3,5
99993015E	30	-	15	-	-	M8	8	58	1,8
99993020E	30	-	20	-	-	M8	8	50	2,5
99993025E	30	-	25	-	-	M8	8	45	3,4
99993030E	30	-	30	-	-	M8	8	41	4
99994015E	40	-	15	-	-	M8	8	130	1,8
99994020E	40	-	20	-	-	M8	8	102	2,5
99994025E	40	-	25	-	-	M10	10	90	3
99994030E	40	-	30	-	-	M10	10	85	3,4
99994040E	40	-	40	-	-	M10	10	72	5,4
99995020E	50	-	20	-	-	M10	10	175	2,5
99995030E	50	-	30	-	-	M10	10	145	3,4
99995035E	50	-	35	-	-	M10	10	130	4,7
99995040E	50	-	40	-	-	M10	10	122	5,6
99995045E	50	-	45	-	-	M10	10	115	6
99995050E	50	-	50	-	-	M10	10	100	7
99996025E	60	-	25	-	-	M10	10	220	4
99996050E	60	-	50	-	-	M10	10	180	5,6
99997045E	70	-	45	-	-	M10	10	260	6
99997525E	75	-	25	-	-	M12	12	485	3,2
99997540E	75	-	40	-	-	M12	12	350	4,4
99997550E	75	-	50	-	-	M12	12	320	6,6
99997555E	75	-	55	-	-	M12	12	287	7,4
99999940E	100	-	40	-	-	M16	16	750	5
99999955E	100	-	55	-	-	M16	16	650	6,7
99999999E	100	-	100	-	-	M16	16	440	12,8

Type DS/D

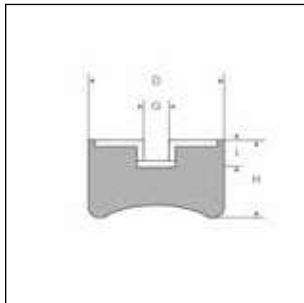


Material properties	Data and values
Quality elastomer	: NR rubber - black
Hardness	: 55° Shore A (+/-5)
Material of metal parts	: Steel 37.2 - galvanized
Temperature range	: -30° C / +80° C
Limited applicability	: Oils, lubricants and greases

The guide values mentioned in the table below are based on a static load. With (high) dynamic and changing loads or high vibration frequencies reduction of the maximum values must be taken into account.

Article number	D mm	d mm	H mm	h mm	D/dxH mm	Ø Screw diameter (G) Metric	Depth screw thread (t) mma	Maximum load Kg	Maximum impression mm
99992518DSD	25	-	18	18	-	M6	-	50	5,0
99994028DSD	40	-	28	23	-	M8	-	100	7,0
99995028DSD	50	-	28	28	-	M10	-	145	7,5

Type DS/E

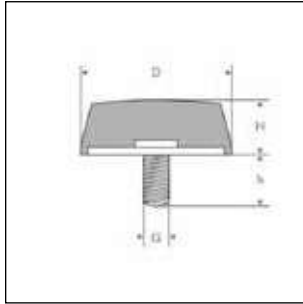


Material properties	Data and values
Quality elastomer	: NR rubber - black
Hardness	: 55° Shore A (+/-5)
Material of metal parts	: Steel 37.2 - galvanized
Temperature range	: -30° C / +80° C
Limited applicability	: Oils, lubricants and greases

The guide values mentioned in the table below are based on a static load. With (high) dynamic and changing loads or high vibration frequencies reduction of the maximum values must be taken into account.

Article number	D mm	d mm	H mm	h mm	D/dxH mm	Ø Screw diameter (G) Metric	Depth screw thread (t) mma	Maximum load Kg	Maximum impression mm
99992518DSE	25	-	18	-	-	M6	6	50	5,0
99994028DSE	40	-	28	-	-	M8	8	100	7,0
99995028DSE	50	-	28	-	-	M10	10	145	7,5

Type K/D

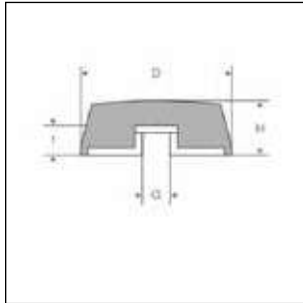


Material properties	Data and values
Quality elastomer	: NR rubber - black
Hardness	: 55° Shore A (+/-5)
Material of metal parts	: Steel 37.2 - galvanized
Temperature range	: -30° C / +80° C
Limited applicability	: Oils, lubricants and greases

The guide values mentioned in the table below are based on a static load. With (high) dynamic and changing loads or high vibration frequencies reduction of the maximum values must be taken into account.

Article number	D mm	d mm	H mm	h mm	D/dxH mm	Ø Screw diameter (G) Metric	Depth screw thread (t) mma	Maximum load Kg	Maximum impression mm
99992517KD	25	-	17	18	-	M6	-	75	6,0
99995018KD	50	-	18	28	-	M10	-	350	4,0
99995055KD	50	-	55	28	-	M10	-	600	17,0
999912545KD	125	-	45	42	-	M16	-	3200	15,0

Type K/E

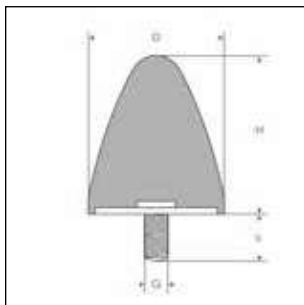


Material properties	Data and values
Quality elastomer	: NR rubber - black
Hardness	: 55° Shore A (+/-5)
Material of metal parts	: Steel 37.2 - galvanized
Temperature range	: -30° C / +80° C
Limited applicability	: Oils, lubricants and greases

The guide values mentioned in the table below are based on a static load. With (high) dynamic and changing loads or high vibration frequencies reduction of the maximum values must be taken into account.

Article number	D mm	d mm	H mm	h mm	D/dxH mm	Ø Screw diameter (G) Metric	Depth screw thread (t) mma	Maximum load Kg	Maximum impression mm
99992517KD	25	-	17	18	-	M6	-	75	6,0
99995018KD	50	-	18	28	-	M10	-	350	4,0
99995055KD	50	-	55	28	-	M10	-	600	17,0
999912545KD	125	-	45	42	-	M16	-	3200	15,0

Type KP/D

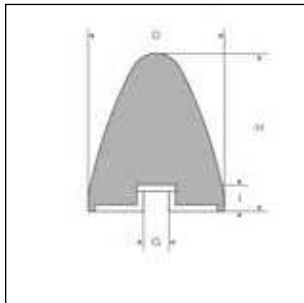


Material properties	Data and values
Quality elastomer	: NR rubber - black
Hardness	: 55° Shore A (+/-5)
Material of metal parts	: Steel 37.2 - galvanized
Temperature range	: -30° C / +80° C
Limited applicability	: Oils, lubricants and greases

The guide values mentioned in the table below are based on a static load. With (high) dynamic and changing loads or high vibration frequencies reduction of the maximum values must be taken into account.

Article number	D mm	d mm	H mm	h mm	D/dxH mm	Ø Screw diameter (G) Metric	Depth screw thread (t) mma	Maximum load Kg	Maximum impression mm
99991010KPD	10	-	10	12	-	M5	-	15	4,0
99992020KPD	20	-	20	20	-	M8	-	40	8,0
99992024KPD	20	-	24	18	-	M6	-	50	10,0
99993030KPD	30	-	30	20	-	M8	-	120	12,0
99993036KPD	30	-	36	20	-	M8	-	140	16,0
99995061KPD	50	-	61	28	-	M10	-	200	23,0
99997589KPD	75	-	89	37	-	M12	-	900	45,0

Type KP/E

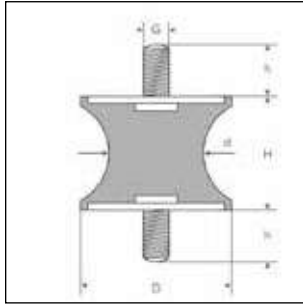


Material properties	Data and values
Quality elastomer	: NR rubber - black
Hardness	: 55° Shore A (+/-5)
Material of metal parts	: Steel 37.2 - galvanized
Temperature range	: -30° C / +80° C
Limited applicability	: Oils, lubricants and greases

The guide values mentioned in the table below are based on a static load. With (high) dynamic and changing loads or high vibration frequencies reduction of the maximum values must be taken into account.

Article number	D mm	d mm	H mm	h mm	D/dxH mm	Ø Screw diameter (G) Metric	Depth screw thread (t) mma	Maximum load Kg	Maximum impression mm
99991010KPE	10	-	10	-	-	M5	4	15	4,0
99992020KPE	20	-	20	-	-	M8	5	40	8,0
99992024KPE	20	-	24	-	-	M6	6	50	10,0
99993030KPE	30	-	30	-	-	M8	8	120	12,0
99993036KPE	30	-	36	-	-	M8	8	140	16,0
99995061KPE	50	-	61	-	-	M10	10	200	23,0
99997589KPE	75	-	89	-	-	M12	12	900	45,0

Type A/F

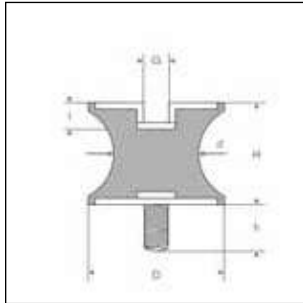


Material properties	Data and values
Quality elastomer	: NR rubber - black
Hardness	: 55° Shore A (+/-5)
Material of metal parts	: Steel 37.2 - galvanized
Temperature range	: -30° C / +80° C
Limited applicability	: Oils, lubricants and greases

The guide values mentioned in the table below are based on a static load. With (high) dynamic and changing loads or high vibration frequencies reduction of the maximum values must be taken into account.

Article number	D mm	d mm	H mm	h mm	D/dxH mm	Ø Screw diameter (G) Metric	Depth screw thread (t) mma	Maximum load Kg	Maximum impression mm
99991010AF	10	8	10	10	10/8x10	M4	-	2	2,5
99992019AF	20	15	19	15	20/15x19	M6	-	3	4,0
99992628AF	26	18	28	20	26/18x28	M8	-	5	4,0
99993020AF	30	22	20	20	30/22x20	M8	-	9	3,5
99994030AF	40	25	30	23	40/25x30	M8	-	13	4,0

Type B/F

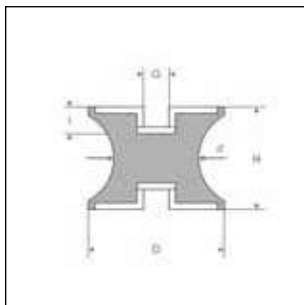


Material properties	Data and values
Quality elastomer	: NR rubber - black
Hardness	: 55° Shore A (+/-5)
Material of metal parts	: Steel 37.2 - galvanized
Temperature range	: -30° C / +80° C
Limited applicability	: Oils, lubricants and greases

The guide values mentioned in the table below are based on a static load. With (high) dynamic and changing loads or high vibration frequencies reduction of the maximum values must be taken into account.

Article number	D mm	d mm	H mm	h mm	D/dxH mm	Ø Screw diameter (G) Metric	Depth screw thread (t) mma	Maximum load Kg	Maximum impression mm
99991010BF	10	8	10	10	10/8x10	M4	4	2	2,5
99992019BF	20	15	19	15	20/15x19	M6	5	3	4,0
99992628BF	26	18	28	20	26/18x28	M8	6	5	4,0
99993020BF	30	22	20	20	30/22x20	M8	8	9	3,5
99994030BF	40	26	30	25	40/26x30	M8	8	12	4,5
99994530BF	45	25	30	23	45/25x30	M8	8	13	4,0

Type C/F

**Material properties**

Quality elastomer	: NR rubber - black
Hardness	: 55° Shore A (+/-5)
Material of metal parts	: Steel 37.2 - galvanized
Temperature range	: -30° C / +80° C
Limited applicability	: Oils, lubricants and greases

Data and values

The guide values mentioned in the table below are based on a static load. With (high) dynamic and changing loads or high vibration frequencies reduction of the maximum values must be taken into account.

Article number	D mm	d mm	H mm	h mm	D/dxH mm	Ø Screw diameter (G) Metric	Depth screw thread (t) mma	Maximum load Kg	Maximum impression mm
99991010CF	10	8	10	-	10/8x10	M4	4	7,5	2,5
99992019CF	20	15	19	-	20/15x19	M6	5	20	4,0
99992628CF	26	18	28	-	26/18x28	M8	6	24	4,0
99993020CF	30	22	20	-	30/22x20	M8	8	34	3,5
99994030CF	40	24	30	-	40/24x30	M8	8	46	4,0
99994530CF	45	25	30	-	45/25x30	M8	8	75	4,0