



SPECIAL ELEMENT FENDERS

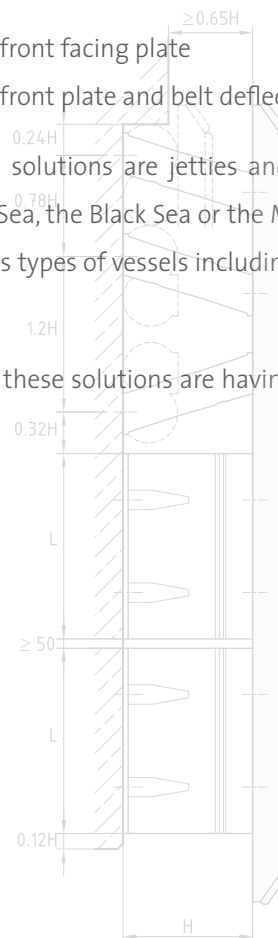
Special Element Fender solutions are a cost effective alternative compared with typical system fender applications which are using Element Fenders behind steel panel structures.

Special Element Fender solutions are:

- ▶ Element Fender with UHMW-PE FQ front facing plate
- ▶ Element Fender with UHMW-PE FQ front plate and belt deflector

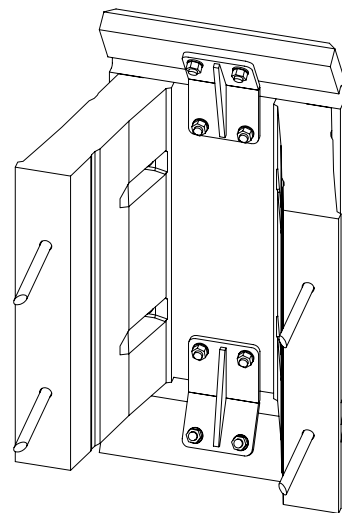
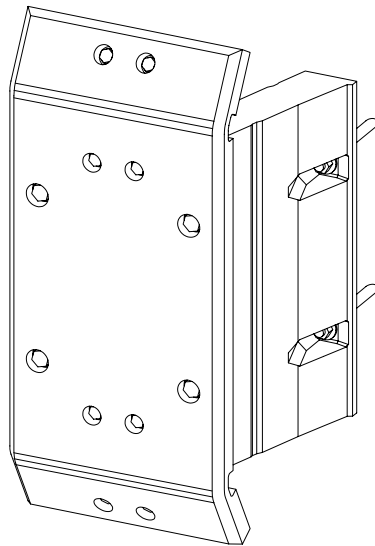
Typical applications for the aforesaid solutions are jetties and berths for small and medium size vessels in the Baltic Sea, the Black Sea or the Mediterranean Sea. These solutions can be used for various types of vessels including bulk, oil and gas, general cargo or naval ships.

However, it has to be mentioned that these solutions are having technical limitations. For details, please contact us.





SYSTEM WITH BELT DEFLECTOR



SYSTEM WITHOUT BELT DEFLECTOR

